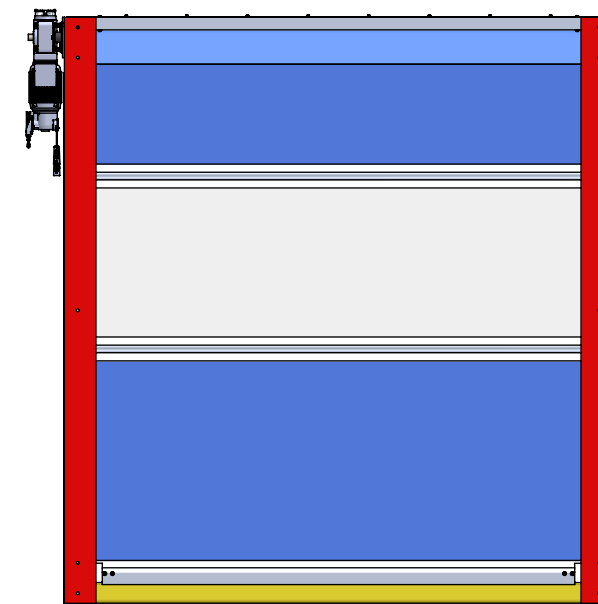
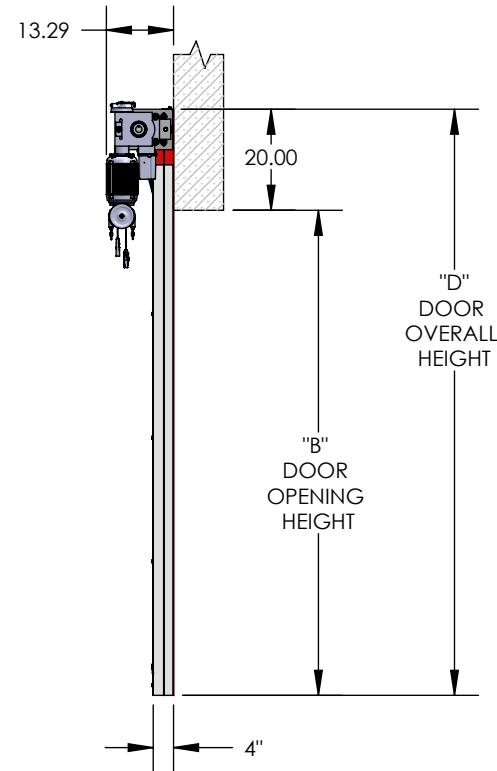
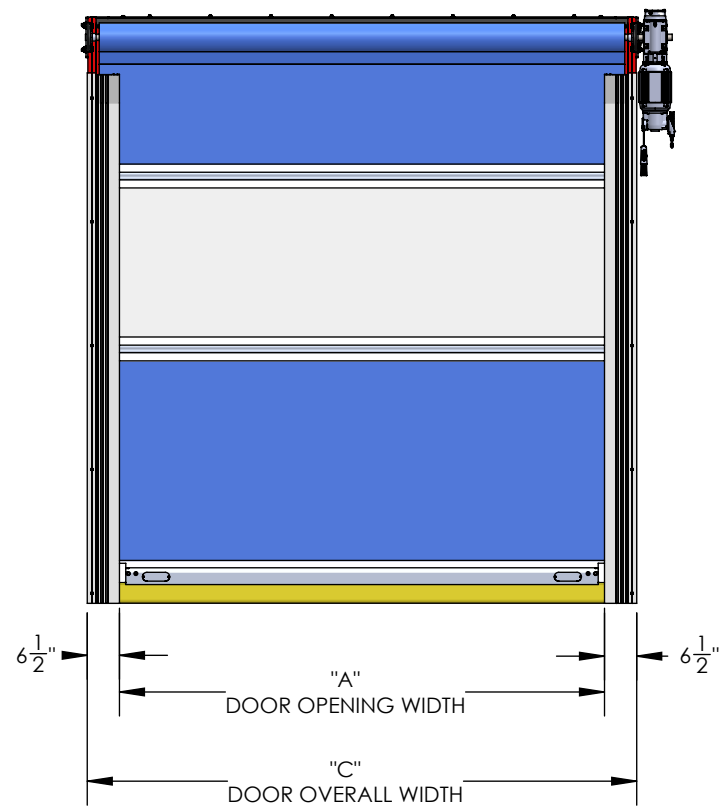
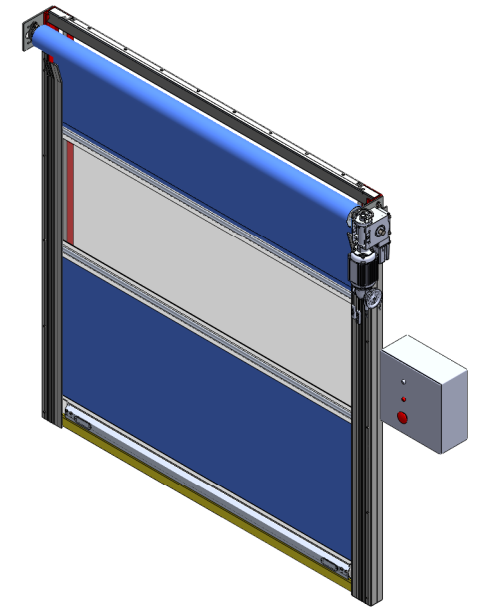
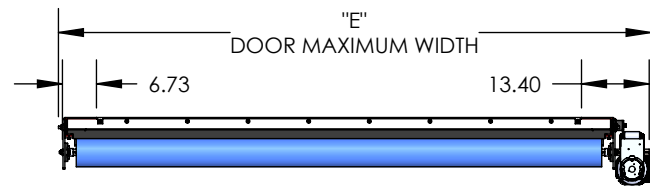


DOOR #	A	B	C	D	E	VOLT	PHASE



* COLOR FOR ASSEMBLY REFERENCE ONLY
RIGHT HAND SIDE MOTOR MOUNT SHOWN

ASSEMBLY DRAWING	Drawing No:	Size: B	Scale: 1:38
Client:			
Project:			
Part Number: BR 150 ASSEMBLY			
Drawn By: D.VILLENEUVE	Drawn Date:		Sheet 1 of 1

The reproduction, distribution and utilization of this drawing as well as the communication of its contents to third parties without explicit authorization is prohibited.

